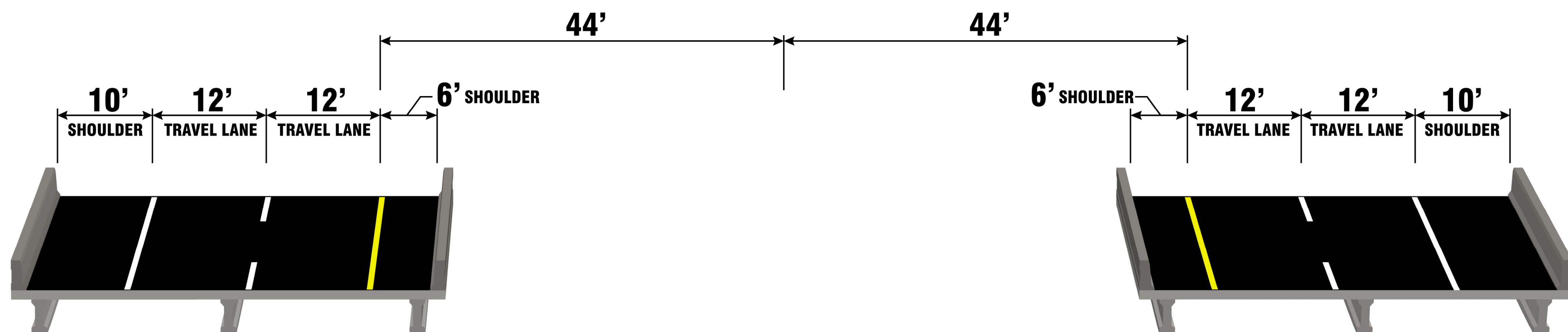
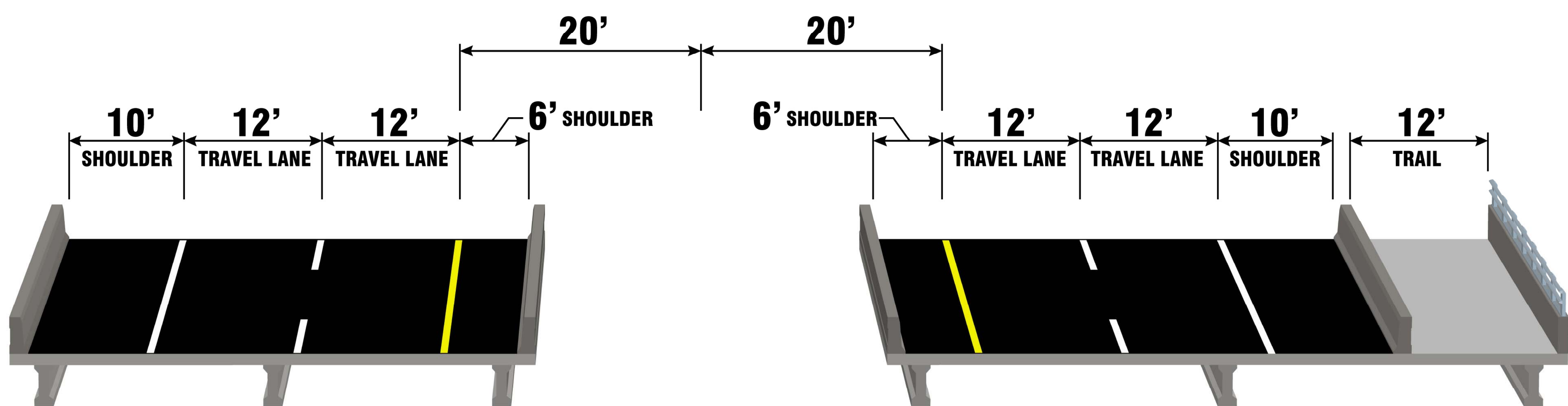


LIMITED ACCESS BRIDGE OVER WATER



LIMITED ACCESS BRIDGE OVER ROADWAYS
 (Assumes multi-use trail is at-grade, and not carried on bridge.)



RURAL BRIDGE



WEST BAY PARKWAY
 Project Development and Environment (PD&E) Study